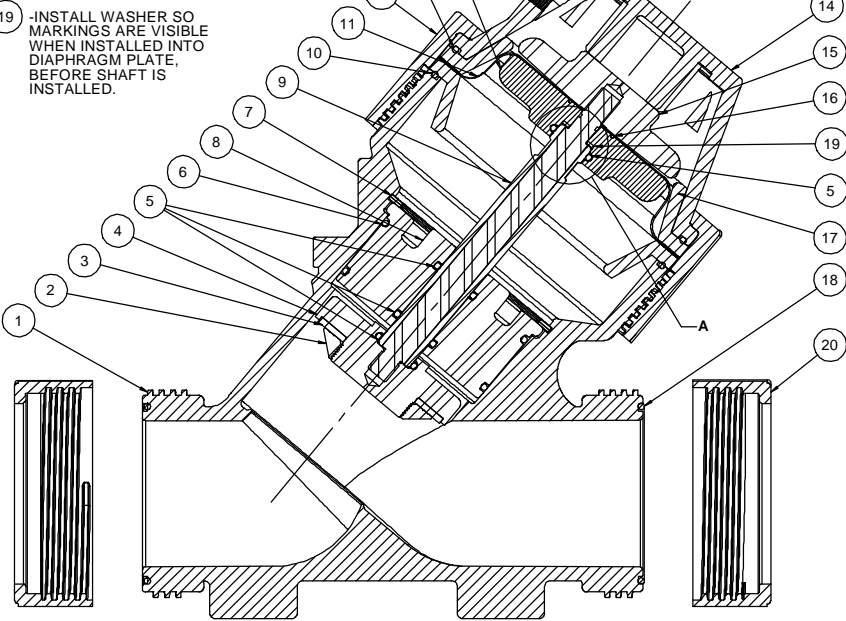


DETAIL A
SCALE 2 : 1



BR1070316 (K537-X200-14000)
NORMALLY OPEN (STANDARD)

REVISIONS					
ZONE	ECN	REV	DESCRIPTION	DATE	APP'D
	101344	J	1-REDRAWN IN SOLIDWORKS; 2-PROTECTOR MADE TO MATCH CURRENT PRODUCTION; 3-THE OLD DRAWING NUMBER IS NOW THE DRAWING NUMBER	10-29-12	TMS
	102141	K	1-WAS: INSTALL WASHER SO THAT MARKINGS ARE SEEN FACE DOWN ON THE SHAFT FLANGE AND BEING AS NOT VISIBLE FROM SEALS	06-28-13	TJM
	104852	L	1-ITEM #4- WAS:1073462; 2-REMO: BR FROM PART #5; 3-UPDATED TITLE BLOCK	11/01/15	TJM

ITEM NO.	DESCRIPTION	PART NUMBER	QTY.
1	VALVE BODY, SERIES 537	NORYL 1073472	1
2	NUT, DISC PLATE, 537, MCHD	PVC 1073459	1
3	DISC, 537	EPDM 1073463	1
4	DISC HOLDER, K537	ULTEM 43361	1
5	O-RING, -212	EPDM 1071745	4
6	O-RING, -212	FKM 1242719	1
7	O-RING, -240	EPDM 1071757	2
8	O-RING, -240	FKM 1071830	1
9	RING, RETAINING	1073505	1
10	V537 - SHAFT GUIDE (MACHINED)	PVC 1073478	1
11	SHAFT, ASSY, V537/ 3' PLSTC VLV	1073508	1
12	O-RING, 2-259	BUNA 1071714	2
13	O-RING, -259	FKM 1071834	2
14	DIAPHRAGM, 537	BUNA 1073462	1
15	NUT, CAP RETAINING, V537	NORYL 1073446	1
16	PLATE, LOWER DIAPHRAGM, K537	NORYL 61886	1
17	CAP, 537 MOLDED	NORYL 1073445	1
18	PLATE, DIAPHRAGM, UPPER, K537	NORYL 1073448	1
19	O-RING, 2-024	BUNA 1071676	1
20	DIAPHRAGM, SUPPORT, K537	NORYL 1073491	2
21	O-RING, -239	EPDM 1071756	2
22	O-RING, -239	FKM 1071829	2
23	WASHER, .867 CUSTOM	43328	1
24	NUT, RETAINING, 537	NORYL 1073458	2

NOTE:
CONNECTORS NOT FURNISHED WITH VALVE.
SEE DWG. NO. 1078165 FOR FEMALE SOCKET
WELD CONNECTORS.

REPAIR PARTS KITS	
DESCRIPTION	PART NO.
DIAPHRAGM & SEALS KIT CONSISTS OF ITEM NO'S 3, 4, 5, 6, 10, 11, 16, 18	BR1070321 (537-RAE) E.P.D.M. INCLUDES DIAPHRAGM BR1073462 (537-100)
	BR1070337 (537-RAVFB) FKM INCLUDES DIAPHRAGM BR1073462 (V537-100)
INT. PARTS KIT CONSISTS OF ITEM NO'S 2, 4, 7, 8, 9, 13, 15, 17, 20	BR1070345 (K537-RF)

ASSEMBLY TOOLS	
DESCRIPTION	PART NO.
LIMITED STOP TOOL (TOOL NOT SHOWN)	BR 1013556 (V560-579)
STRAP WRENCH (TOOL NOT SHOWN)	BR1073557 (V560-581)

SEE PAGE 2 FOR CONFIGURATION OPTIONS

THIS DOCUMENT IS SOLELY THE PROPERTY OF QMATIC CORPORATION. IT IS TO BE USED ONLY FOR THE PROJECT AND FOR THE DEVELOPER, OR TRANSMISSION OF THE DOCUMENT OR REPRODUCTION OF THE DOCUMENT IN ANY FORM OR BY ANY MEANS, WITHOUT THE WRITTEN CONSENT OF QMATIC CORPORATION. ALL RIGHTS ARE RESERVED. THIS DOCUMENT AND ANY COPIES SHALL BE RETURNED TO QMATIC CORPORATION UPON REQUEST.

DO NOT SCALE DRAWING. USE DIMENSIONS FROM INTERSECT DIMS AND TOL CHANGES PER ASME Y14.5M-2009 UNLESS OTHERWISE SPECIFIED.
ALL FINISHED MACHINED SURFACES 125 ✓ FOR BETTER TOLERANCES.

125 ✓ FOR BETTER TOLERANCES.

1 PLACE .0005
2 PLACE .0010
3 PLACE .0015

THIRD ANGLE PROJECTION

APPROVALS: DATE: 12-1-11

APPROVED: _____

CHECKED: _____

TITLE: CATALOG SHEET, 537 DIAPHRAGM VALVE

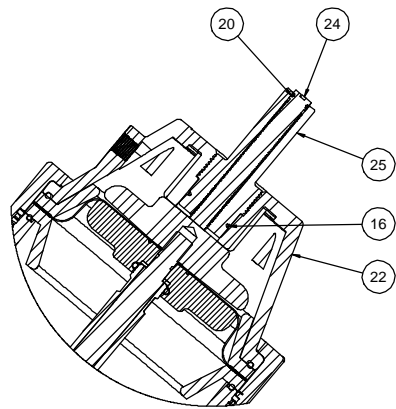
SIZE: D

SCALE: 1:4

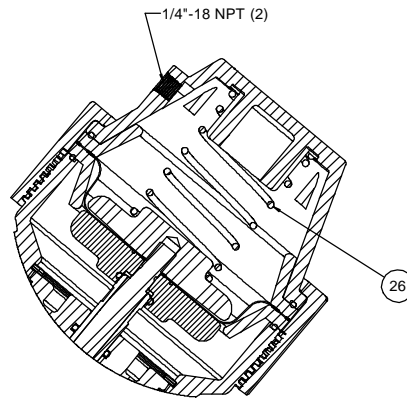
16505 West Vester Rd
New Berlin, WI 53151
262-328-0100 www.qmatic.com

BR107691

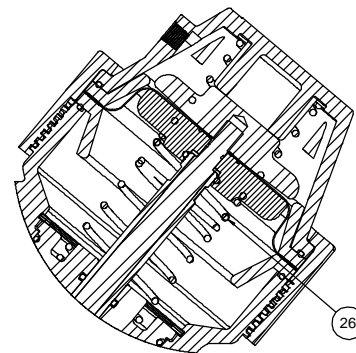
SHEET 1 OF 2



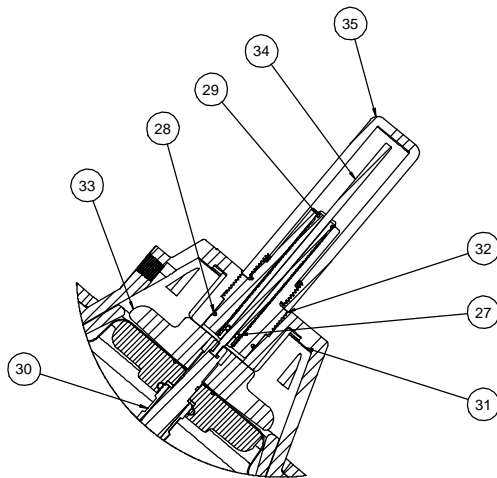
BR1070317 (K537-X210-14000)
LIMIT STOP



BR1071391 (K537-X202-14000)
SPRING ASSIST CLOSED



BR1071390 (K537-X201-14000)
SPRING ASSIST OPEN



K537-X221-14000
**LIMIT STOP/
POSITION INDICATOR**

REPAIR PARTS KITS	
DESCRIPTION	PARTS NO.
INT. PARTS KIT (LIMIT STOP) CONSISTS OF ITEM NO'S 21 THRU 24	BR1075237 (537-LS)
INT. PARTS KIT (SPRING ASSIST CLOSED) CONSISTS OF ITEM NO. 26	BR1075239 (537-S)
INT. PARTS KIT (SPRING ASSIST OPEN) CONSISTS OF ITEM NO. 26	BR1075239 (537-S)
INT. PARTS KIT (LIMIT STOP/POS INDICATOR) CONSISTS OF ITEM NO'S 27 THRU 35	BR1081805 (537-PI)

CONVERSION KITS	
DESCRIPTION	PART NO.
CONVERSION KIT (LIMIT STOP) CONSISTS OF ITEM NO'S 10, 21 THRU 25	BR1071377 (537-LSC)
CONVERSION KIT (SPRING ASSIST CLOSED) CONSISTS OF ITEM NO. 26	BR1075239 (537-S)
CONVERSION KIT (SPRING ASSIST OPEN) CONSISTS OF ITEM NO. 26	BR1075239 (537-S)
CONVERSION KIT (POSITION INDICATOR) CONSISTS OF ITEM NO'S 10, 27 THRU 35	BR1071378 (537-PI-C)

REVISIONS					
ZONE	ECN	REV.	DESCRIPTION	DATE	APP'D
			SEE SHEET ONE FOR NOTES		

LIMITED STOP MODEL			
ITEM NO.	DESCRIPTION	PART NUMBER	QTY.
21	O-RING, 2-012, NITRILE	BUNA 1071668 (ORB-012)	1
	O-RING, FKM, ORV-012	FKM 1071787 (ORV-012)	1
22	O-RING, 2-024, NITRILE	BUNA 1071676 (ORB-024)	1
	O-RING, FKM, ORV-024	FKM 1071791 (ORV-024)	1
23	CAP, 3" VALVE, LS/PI, V537	NORYL 1073473 (V537-420K)	1
24	SCREW, LIMIT STOP	1073498	1
25	GUIDE, LIMIT STOP, K537	PVC 1073494	1

SPRING ASSIST CLOSED MODEL & SPRING ASSIST OPEN MODEL			
ITEM NO.	DESCRIPTION	PART NUMBER	QTY.
26	SPRING, COMPRESSION	1073467	1

LIMIT STOP/ POSITION INDICATOR MODEL			
ITEM NO.	DESCRIPTION	PART NUMBER	QTY.
27	LIMIT STOP SCREW, POS. IND.	1073506 (V537-700)	1
28	O-RING, 2-024	BUNA 1071676 (ORB-024)	1
	O-RING, -024	FKM 1071691 (ORV-024)	1
29	O-RING, 2-012	BUNA 1071668 (ORB-012)	1
	O-RING, -012	FKM 1071787 (ORV-012)	1
30	SHAFT, 537, PVC, PI	1073507 (V537-701)	1
31	CAP, 3" VALVE, LS/PI, V537	NORYL 1073473 (V537-420K)	1
32	GUIDE, LIMIT STOP, PI, K537	PVC 1073493	1
33	PLATE, DIAPHRAGM, 537, UPR	NORYL 1073475	1
34	ROD, POSITION INDICATOR, 537	1073492	1
35	SIGHT GLASS, POS INDICATOR 537	1073489	1

SEE PAGE 1 FOR
STANDARD NORMALLY OPEN MODEL

<small>THIS DOCUMENT IS SOLELY THE PROPERTY OF PENTAIR. IT IS TO BE USED ONLY FOR THE PROJECT AND FOR THE DESIGN, DEVELOPMENT, OR TRANSMISSION OF THE DOCUMENT OR DETAILS CONTAINED HEREIN. IT IS NOT TO BE REPRODUCED, COPIED, OR TRANSMITTED IN ANY FORM OR BY ANY MEANS, ELECTRONIC OR MECHANICAL, INCLUDING PHOTOCOPYING, RECORDING, OR BY ANY INFORMATION STORAGE AND RETRIEVAL SYSTEM, WITHOUT THE WRITTEN CONSENT OF PENTAIR. PENTAIR, THE PENTAIR LOGO, AND ALL OTHER TRADEMARKS AND SERVICE MARKS ARE THE PROPERTY OF PENTAIR. ALL RIGHTS ARE RESERVED.</small>		THIRD ANGLE PROJECTION		18005 West Victor Rd New Berlin, WI 53151 262.326-0100 www.aq.matic.com
APPROVALS	DATE	TITLE		
DRAWN	12-1-11	CATALOG SHEET, 537 DIAPHRAGM VALVE		
APPROVED		SIZE	D	REV L
CHECKED		SCALE	2:3	BR1077691

SHEET 2 OF 2